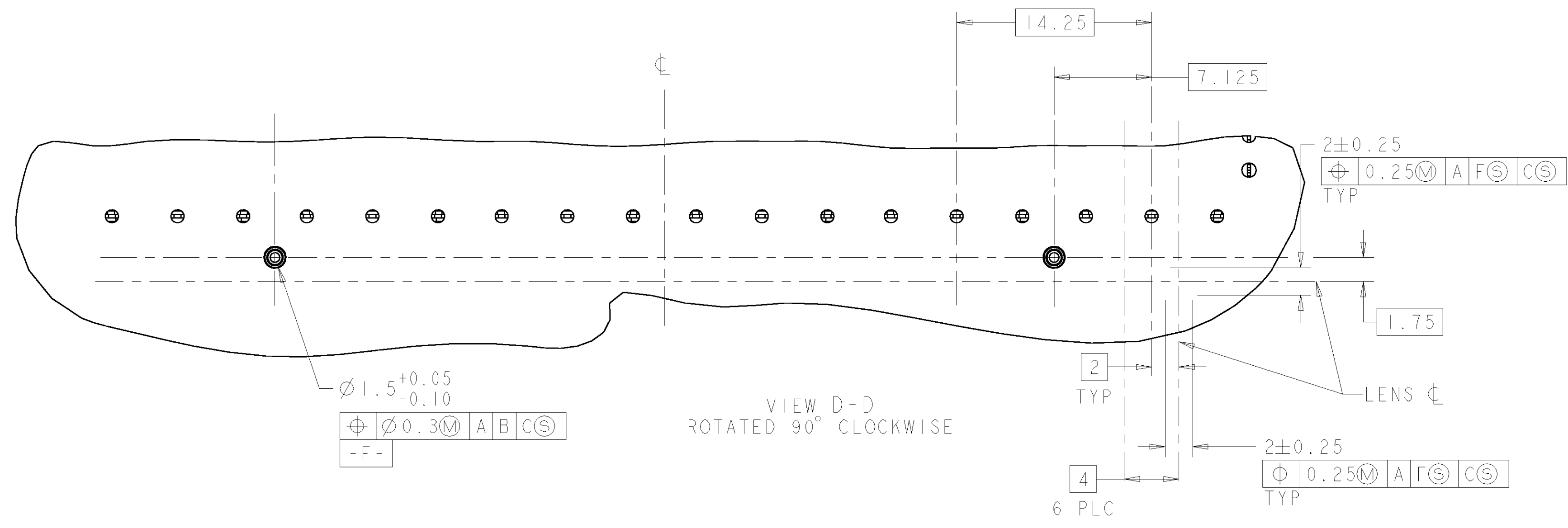
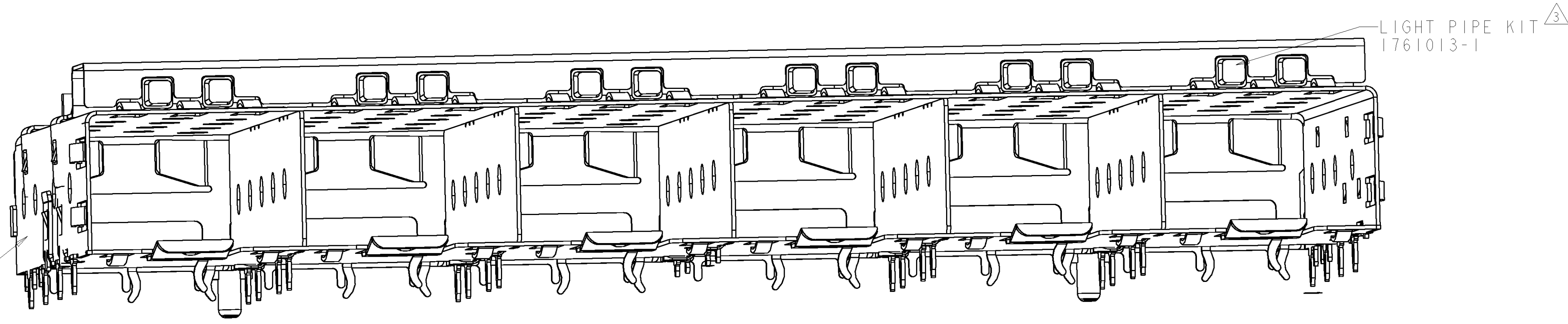
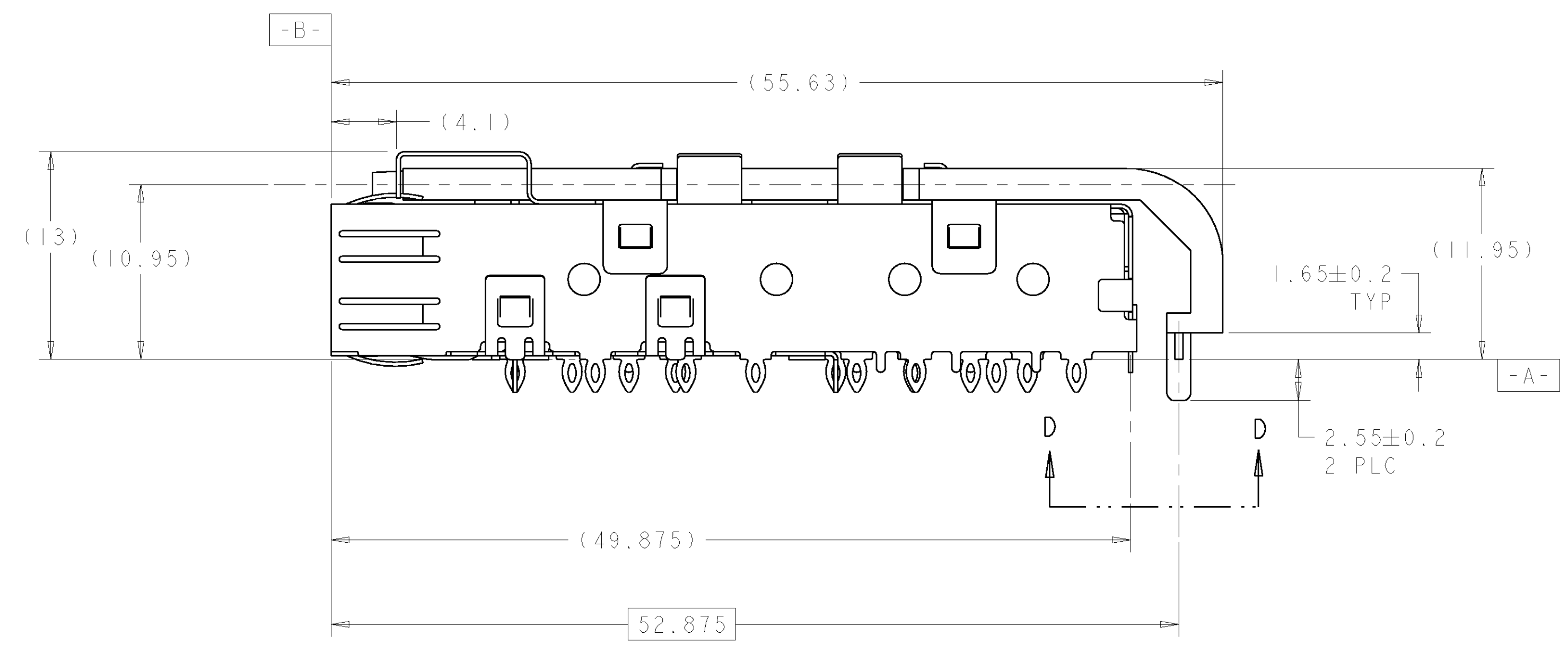
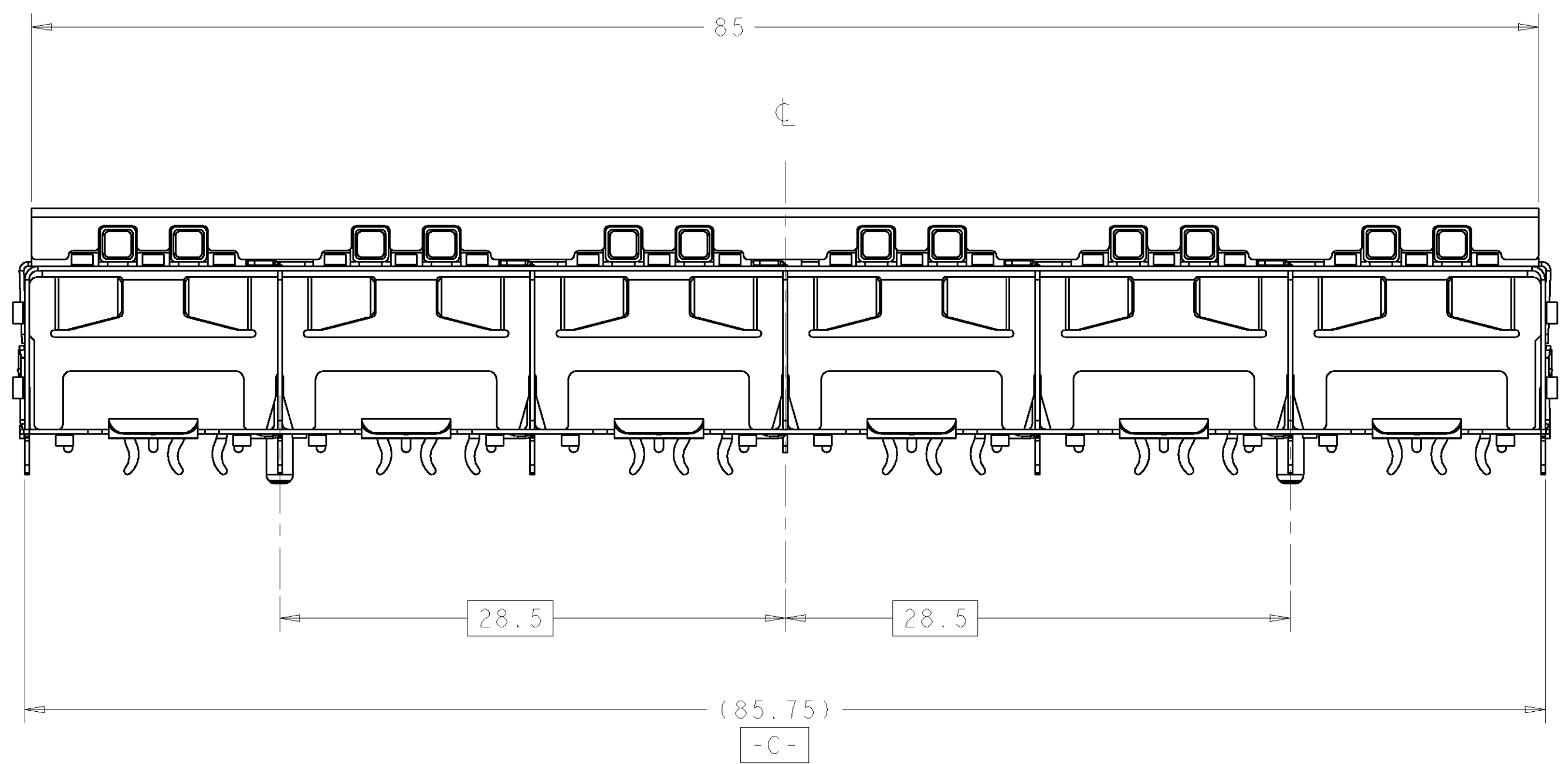


LOC	DIST	REV	DATE	BY	CHK
GP	00				
C		REVIS	24MAR2006	REH	JK
C1		REVIS	21MAY07	ZMR	JRH



- △ PADS AND VIAS CHASSIS GROUND
- △ DATUM AND BASIC DIMENSIONS ESTABLISHED BY CUSTOMER
- △ LIGHT PIPE KIT WHICH IS SEPARATE FROM CAGE ASSEMBLY, KIT TO BE ATTACHED AFTER SEATING OF 1761015-1 ON PC BOARD.
- 4. LABEL ON CAGE WILL HAVE PART NUMBER 1761015-1.
- 5. REFERENCE STYLE 1 ON APPLICATION SPECIFICATION 114-13165 FOR ADDITIONAL INFORMATION ON CAGE ASSEMBLIES WITH LIGHT PIPES.
- △ REFERENCE APPLICATION SPEC 114-13120, HOLE A, FOR RECOMMENDED DRILL HOLES DIAMETER AND PLATING THICKNESSES.



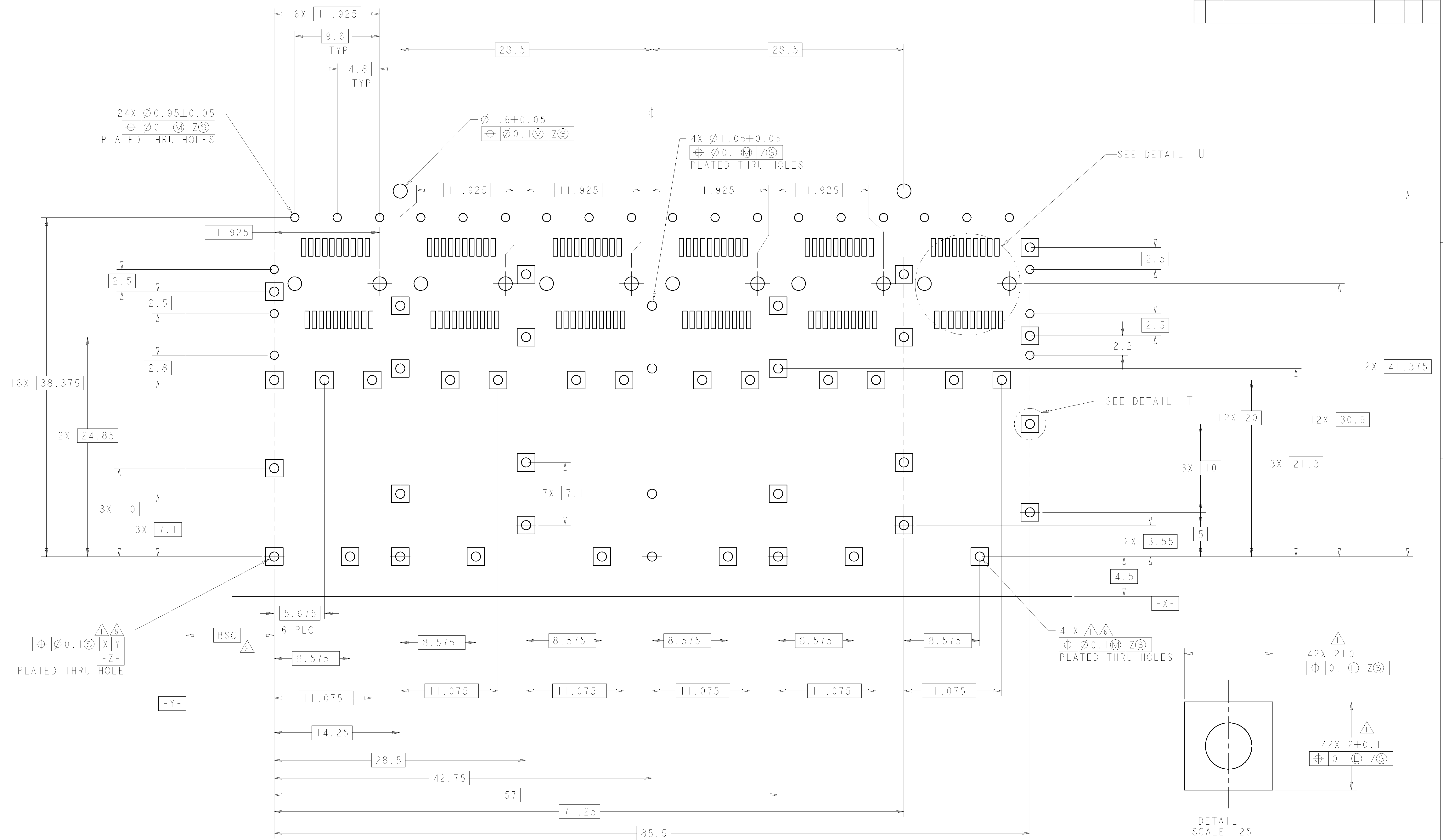
CAGE ASSEMBLY
 1761015-1

1658939-1
 SCALE 5:1

IX6 ASSEMBLY	1658939-1
POSITION	PART NUMBER

DIMENSIONS: mm 		TOLERANCES UNLESS OTHERWISE SPECIFIED: 0 PLC ±0.1 1 PLC ±0.1 2 PLC ±0.10 3 PLC ± 4 PLC ± ANGLES ±1° FINISH		DWN M. E. COWHER 21NOV2003 ENR M. J. PHILLIPS 21NOV2003 APVD M. J. PHILLIPS 21NOV2003 PRODUCT SPEC 108-1950 APPLICATION SPEC 114-13120 WEIGHT CUSTOMER DRAWING		Tyco Electronics Harrisburg, PA 17105-3608 NAME SIZE CAGE CODE DRAWING NO A1 00779 C=1658939 RESTRICTED TO	
SCALE 4:1 SHEET 1 OF 3 REV C1				Tyco Electronics Harrisburg, PA 17105-3608 NAME SIZE CAGE CODE DRAWING NO A1 00779 C=1658939 RESTRICTED TO			

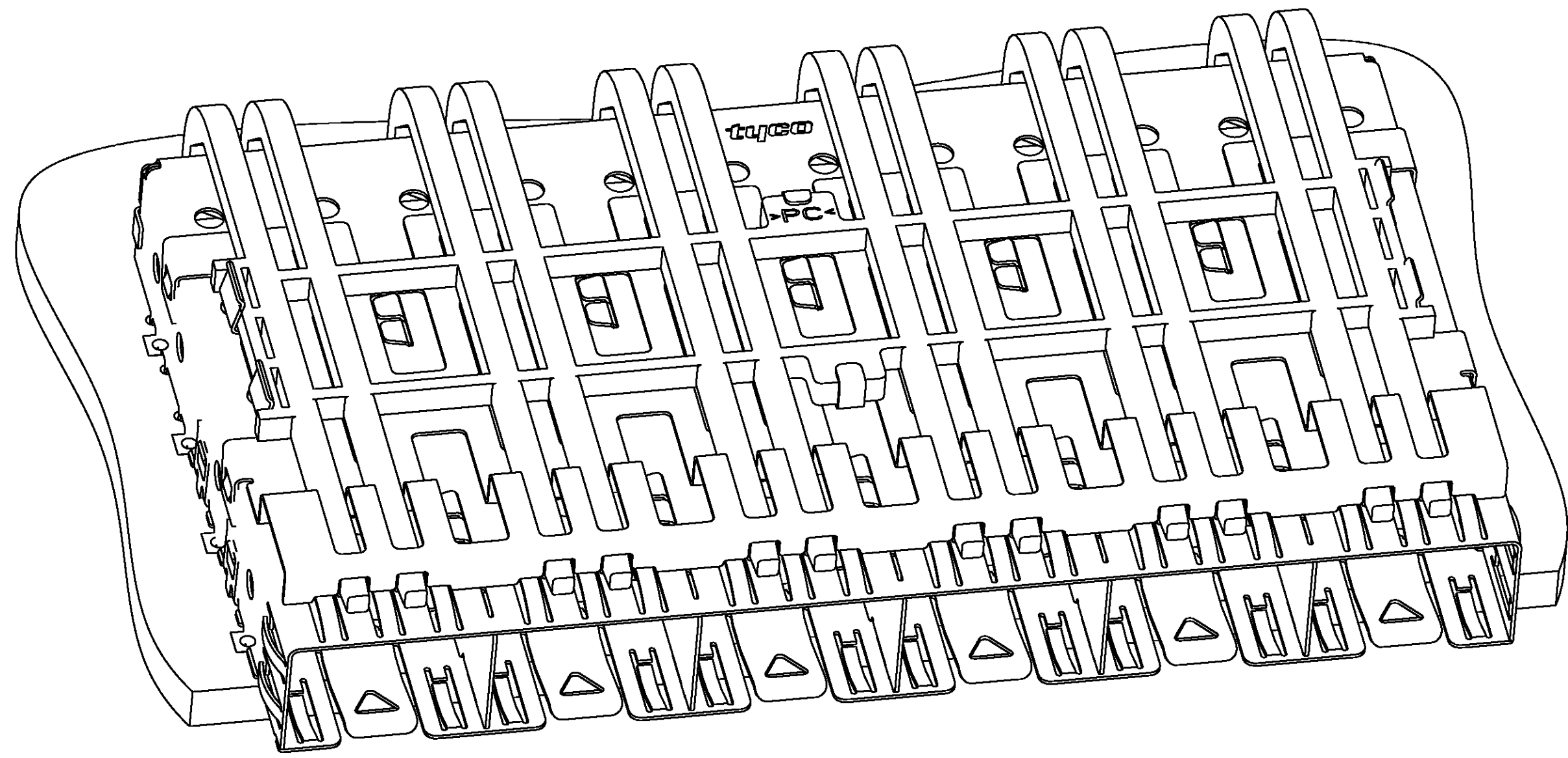
LOC		DIST		REVISONS			
GP	00	P	LTR	DESCRIPTION	DATE	DRW	APVD
-	-	-	-	SEE SHEET 1	-	-	-



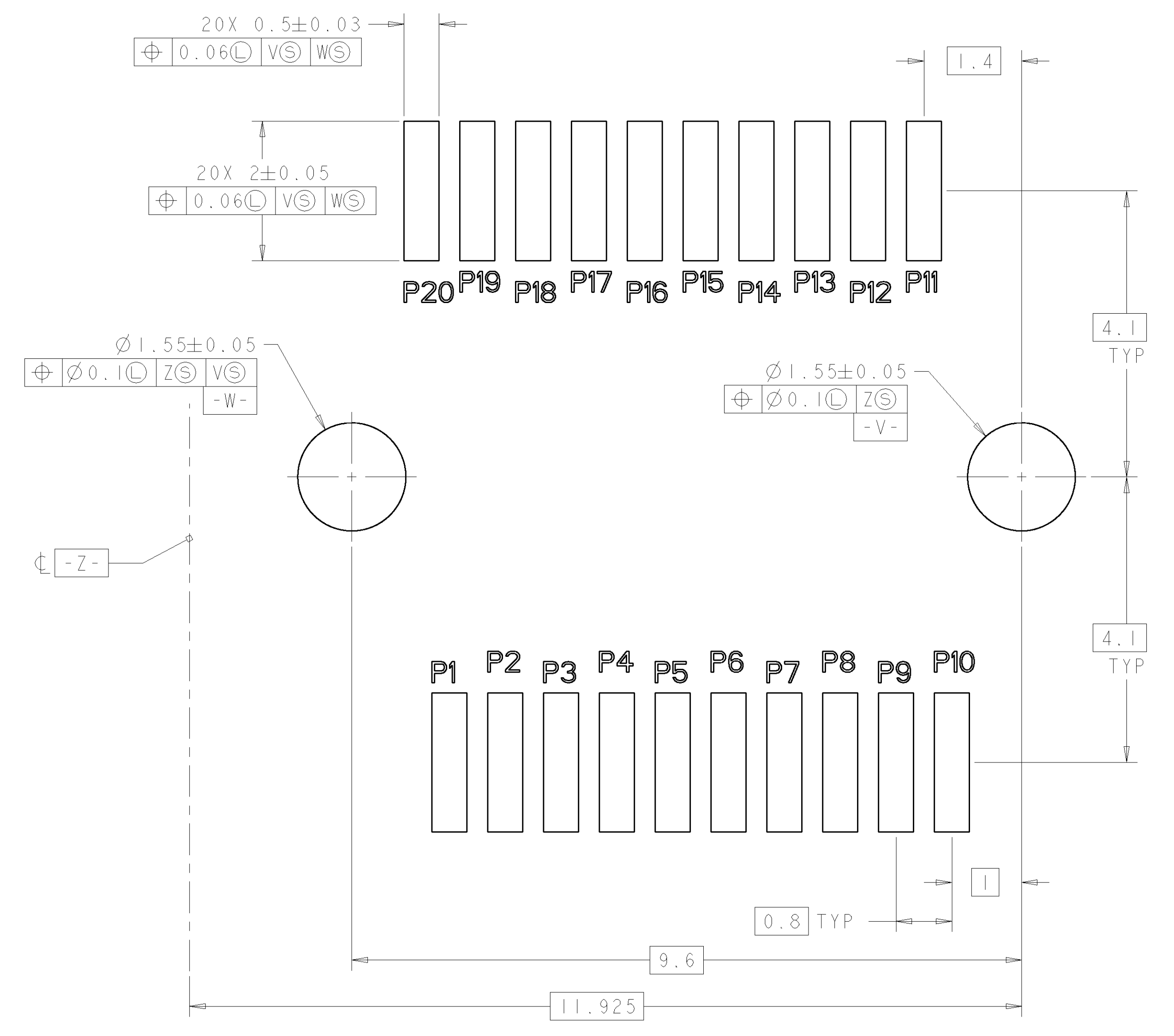
RECOMMENDED PCB CONFIGURATION
 SCALE 5:1

<small>THIS DRAWING IS UNPUBLISHED. RELEASED FOR PUBLICATION. ALL RIGHTS RESERVED. © 2003 BY TYCO ELECTRONICS CORPORATION. THIS DRAWING IS THE PROPERTY OF TYCO ELECTRONICS CORPORATION AND IS TO BE USED ONLY FOR THE PURPOSES AND APPLICATIONS SPECIFIED HEREIN. ANY REUSE OR MODIFICATION OF THIS DRAWING WITHOUT THE WRITTEN PERMISSION OF TYCO ELECTRONICS CORPORATION IS STRICTLY PROHIBITED.</small>		DWN: M. E. COWHER ENR: M. J. PHILLIPS APVD: M. J. PHILLIPS	21NOV2003 21NOV2003 21NOV2003	Tyco Electronics Harrisburg, PA 17105-3608
DIMENSIONS: mm 	TOLERANCES UNLESS OTHERWISE SPECIFIED: 0 PLC ±0.1 1 PLC ±0.1 2 PLC ±0.10 3 PLC ± 4 PLC ± ANGLES ±1° FINISH	NAME: 1x6 CAGE ASSEMBLY WITH LIGHT PIPE, SFP PRODUCT SPEC: 108-1950 APPLICATION SPEC: 114-13120 WEIGHT: - CUSTOMER DRAWING	SCALE: 4:1 SHEET: 2 OF 3 REV: C1	RESTRICTED TO: -

LOC		DIST		REVISIONS			
GP	00	P	LTR	DESCRIPTION	DATE	DWN	APVD
-	-	-	-	SEE SHEET 1	-	-	-



1658939-1
 ON PCB
 SCALE 3:1



DETAIL U
 RECOMMENDED PT CONNECTOR CONFIGURATION
 6X
 SCALE 20:1

<small>THIS DRAWING IS UNPUBLISHED. RELEASED FOR PUBLICATION BY TYCO ELECTRONICS CORPORATION. ALL RIGHTS RESERVED.</small>		<small>TYCO ELECTRONICS CORPORATION</small> HARRISBURG, PA 17105-3608	
DIMENSIONS: mm		TOLERANCES UNLESS OTHERWISE SPECIFIED: 0 PLC ±0.1 1 PLC ±0.1 2 PLC ±0.10 3 PLC ± 4 PLC ± ANGLES ±° FINISH	
MATERIAL: - FINISH: -		DWN: M. E. COWHER 21NOV2003 ENR: M. J. PHILLIPS 21NOV2003 APVD: M. J. PHILLIPS 21NOV2003 PRODUCT SPEC: 108-1950 APPLICATION SPEC: 114-13120 WEIGHT: - CUSTOMER DRAWING	
NAME: 1x6 CAGE ASSEMBLY WITH LIGHT PIPE, SFP		Tyco Electronics Harrisburg, PA 17105-3608 SIZE: A1 00779 C=1658939 SCALE: 4:1 SHEET 3 OF 3 REV: C1	